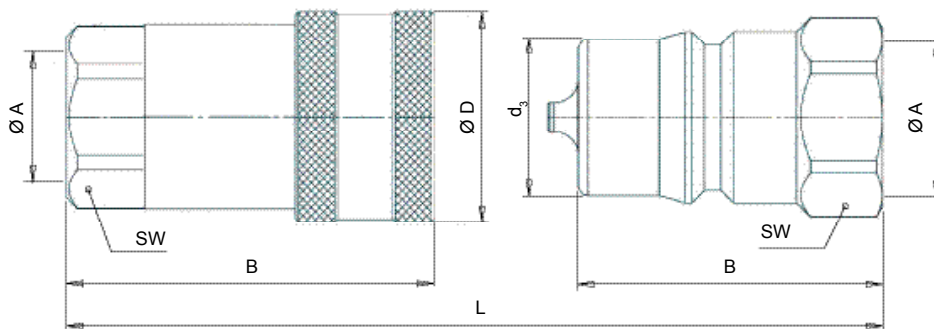


QUICK RELEASE COUPLING

- **STANDARD ISO 7241 A** - Poppet SVK-ISO-A 90
- **STANDARD ISO 5675** - Poppet SVK-1H push-pull 91-92
- **STANDARD ISO 5675** - Poppet SPK-1H male connectable under pressure 93
- **STANDARD ISO 16028** - Flat Face FPK 94-95
- **STANDARD ISO 16028** - Flat Face FPP connectable under pressure 96
- **SCREW COUPLING** - Poppet HDK 97-98
- **QUICK CONNECT ADAPTER** 99





STANDARD ISO 7241 A - Poppet SVK-ISO-A

Female coupling - female thread

Item Code	Part Number				WP Conn./ disconn. MPa	Min BP Conn./ disconn. MPa	Thread	ø A	B	ø D	L	SW
		DASH	DN	inch								
1219613	R1QEPAF06F-0404	-4	6	1/4"	35	140	BSPP	1/4"	50	26	74,2	19
1219607	R1QEPAF06F-0606	-6	10	3/8"	31,5	126	BSPP	3/8"	57,1	31,5	78,5	22
1219617	R1QEPAF06F-0808	-8	12	1/2"	27	108	BSPP	1/2"	66	38,5	88,2	27
1219609	R1QEPAF06F-1212	-12	20	3/4"	25	100	BSPP	3/4"	82,5	48	110,4	34
1219619	R1QEPAF06F-1616	-16	25	1"	20	80	BSPP	1"	100	56	132,9	41
1223504	R1QEPAF06F-2020	-20	32	1 1/4"	20	80	BSPP	1 1/4"	117	70	150	50
1219620	R1QEPAF06F-2424	-24	40	1 1/2"	16	64	BSPP	1 1/2"	133	84,5	167	60
1219612	R1QEPAF28F-0404	-4	6	1/4"	35	140	NPTF	1/4"	50	26	74,2	19
1222491	R1QEPAF28F-0606	-6	10	3/8"	27	108	NPTF	3/8"	57,1	31,5	78,5	22
1222488	R1QEPAF28F-0808	-8	12	1/2"	27	108	NPTF	1/2"	66	38,5	88,2	27
1222494	R1QEPAF28F-1212	-12	20	3/4"	25	100	NPTF	3/4"	82,5	48	110,4	34
1222495	R1QEPAF28F-1616	-16	25	1"	20	80	NPTF	1"	100	56	132,9	41
1229489	R1QEPAF28F-2424	-24	40	1 1/2"	16	64	NPTF	1 1/2"	133	84,5	167	60
1229466	R1QEPAF52F-0822	-8	12	1/2"	27	108	MET	M22x1,5	66	38,5	88,2	27

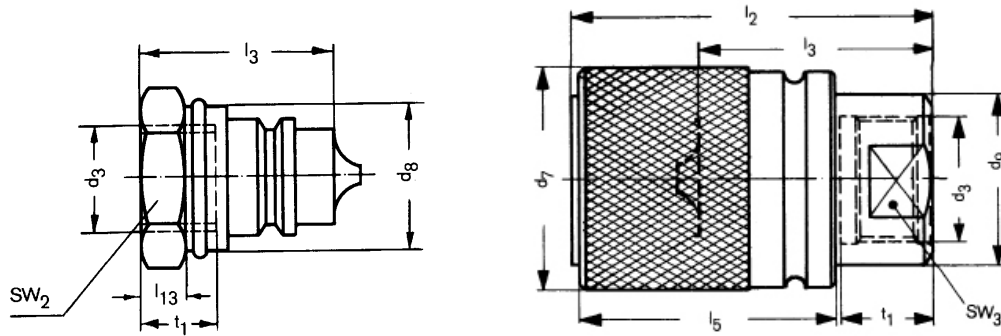
BSPP connection according to DIN 3852-2-X, NPTF connection according to ANSI B1-20.3, metric connection according to ISO 6149-1

STANDARD ISO 7241 A - Poppet SVK-ISO-A

Male coupling - female thread

Item Code	Part Number				WP Conn./ disconn. MPa	Min BP Conn./ disconn. MPa	Thread	ø A	B	d ₃	L	SW
		DASH	DN	inch								
1219611	R1QEPAM06F-0404	-4	6	1/4"	35	140	BSPP	1/4"	38,5	11,8	74,2	19
1219606	R1QEPAM06F-0606	-6	10	3/8"	31,5	126	BSPP	3/8"	39	17,3	78,5	22
1219615	R1QEPAM06F-0808	-8	12	1/2"	27	108	BSPP	1/2"	44	20,5	88,2	27
1219608	R1QEPAM06F-1212	-12	20	3/4"	25	100	BSPP	3/4"	55	29	110,4	34
1219618	R1QEPAM06F-1616	-16	25	1"	20	80	BSPP	1"	66	34,3	132,9	41
1223512	R1QEPAM06F-2020	-20	32	1 1/4"	20	80	BSPP	1 1/4"	75	45	150	50
1223511	R1QEPAM06F-2424	-24	40	1 1/2"	16	64	BSPP	1 1/2"	83,5	55	167	60
1219610	R1QEPAM28F-0404	-4	6	1/4"	35	140	NPTF	1/4"	38,5	11,8	74,2	19
1222492	R1QEPAM28F-0606	-6	10	3/8"	27	108	NPTF	3/8"	39	17,3	78,5	22
1222489	R1QEPAM28F-0808	-8	12	1/2"	27	108	NPTF	1/2"	44	20,5	88,2	27
1222490	R1QEPAM28F-1212	-12	20	3/4"	25	100	NPTF	3/4"	55	29	110,4	34
1229488	R1QEPAM28F-1616	-16	25	1"	20	80	NPTF	1"	66	34,3	132,9	41
1229496	R1QEPAM28F-2424	-24	40	1 1/2"	16	64	NPTF	1 1/2"	83,5	55	167	60
1229477	R1QEPAM52F-0822	-8	12	1/2"	27	108	MET	M22x1,5	44	20,5	88,2	27

BSPP connection according to DIN 3852-2-X, NPTF connection according to ANSI B1-20.3, metric connection according to ISO 6149-1



STANDARD ISO 5675 - Poppet SVK-1H push-pull

Female coupling - female thread

Item Code	Part Number				WP Conn./ disconn. MPa	Thread	d ₃	d ₇	d ₉	l ₂	l ₃	l ₅	t ₁	SW ₃
		DASH	DN	inch										
1219634	R1Q-340008	-6	10	3/8"	40	BSPP	3/8"	32	24	54	36	45	9	19
1219632	R1Q-340010	-8	12	1/2"	25	BSPP	1/2"	39	30	63	41	45	16	27
1229069	R1Q-340013	-12	20	3/4"	25	BSPP	1"	51	43	88,5	55	68	18	36
1229982	R1Q-340004	-6	10	3/8"	40	NPTF	3/8"	32	24	54	36	45	9	19
1229984	R1Q-340011	-8	12	1/2"	25	NPTF	1/2"	39	30	63	41	45	16	27
1229986	R1Q-340012	-12	20	3/4"	25	NPTF	1"	51	43	88,5	55	68	18	36
1229992	R1Q-340160	-6	10	3/8"	40	SAE/UNF	9/16"-18	32	24	54	36	45	9	19
1229994	R1Q-340166	-8	12	1/2"	25	SAE/UNF	3/4"-16	39	30	63	41	45	16	27
1229996	R1Q-340167	-12	20	3/4"	25	SAE/UN	1"5/16-12	51	43	88,5	55	68	18	36
1229089	R1Q-340007	-6	10	3/8"	40	MET	M16x1,5	32	24	54	36	45	9	19
1229090	R1Q-340009	-8	12	1/2"	25	MET	M22x1,5	39	30	63	41	45	16	27
1229091	R1Q-340130	-12	20	3/4"	25	MET	M30x1,5	51	43	88,5	55	68	18	36

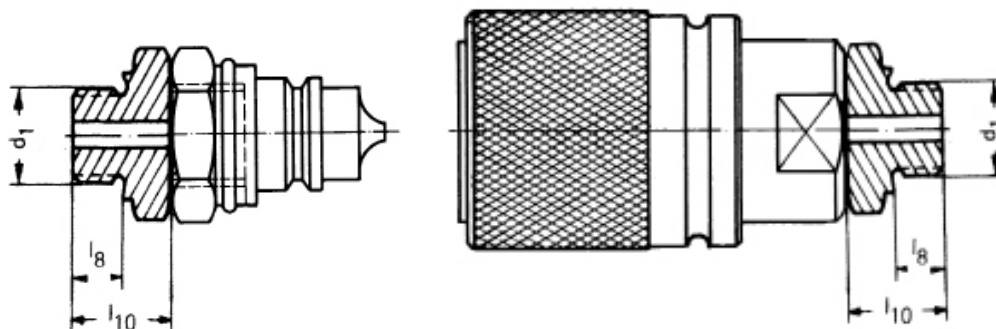
BSPP connection according to DIN 3852-2-X, NPTF connection according to ANSI B1-20.3, metric connection according to DIN 3852, SAE UNF/UN connection according to SAE J 1926-1

STANDARD ISO 5675 - Poppet SVK-1H

Male coupling - female thread

Item Code	Part Number				WP Conn./ disconn. MPa	Thread	d ₃	d ₈	l ₃	l ₁₃	t ₁	SW ₂
		DASH	DN	inch								
1219633	R1Q-340002	-6	10	3/8"	40	BSPP	3/8"	22	36	10	14	22
1219631	R1Q-340003	-8	12	1/2"	25	BSPP	1/2"	-	45	18	16	27
1229020	R1Q-340006	-12	20	3/4"	25	BSPP	1"	41	55	20	18	41
1229987	R1Q-340176	-6	10	3/8"	40	NPTF	3/8"	22	36	10	14	22
1229989	R1Q-340131	-8	12	1/2"	25	NPTF	1/2"	-	45	18	16	27
1229991	R1Q-340183	-12	20	3/4"	25	NPTF	1"	41	55	20	18	41
1230002	R1Q-340184	-6	10	3/8"	40	SAE/UNF	9/16"-18	22	36	10	14	22
1230004	R1Q-340208	-8	12	1/2"	25	SAE/UNF	3/4"-16	-	45	18	16	27
1230006	R1Q-340211	-12	20	3/4"	25	SAE/UN	1"5/16-12	41	55	20	18	41
1229061	R1Q-340000	-6	10	3/8"	40	MET	M16x1,5	22	36	10	14	22
1229062	R1Q-340001	-8	12	1/2"	25	MET	M22x1,5	-	45	18	16	27
1229063	R1Q-340005	-12	20	3/4"	25	MET	M30x1,5	41	55	20	18	41

BSPP connection according to DIN 3852-2-X, NPTF connection according to ANSI B1-20.3, metric connection according to DIN 3852, SAE UNF/UN connection according to SAE J 1926-1



STANDARD ISO 5675 - Poppet SVK-1H push-pull

Female coupling - male thread

Item Code	Part Number				WP Conn./ disconn. MPa	Fitting	d ₁ mm	l ₈ mm	l ₁₀ mm
		DASH	DN	inch					
1229064	R1Q-340094	-6	10	3/8"	40	AGF	1/4"	12	19
1229065	R1Q-340095	-6	10	3/8"	40	AGF	3/8"	12	19
1229066	R1Q-340096	-8	12	1/2"	25	AGF	1/2"	14	23
1229068	R1Q-340097	-12	20	3/4"	25	AGF	3/4"	16	29
1229067	R1Q-340098	-12	20	3/4"	25	AGF	1"	18	31

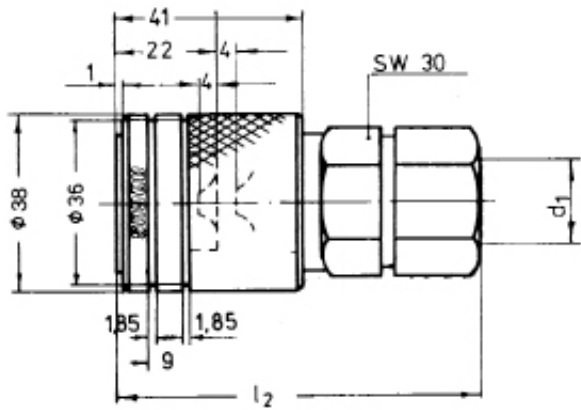
AGF connection according to DIN 3901 heavy duty range with pipe thread G (BSPP), type A to DIN 3852-2

STANDARD ISO 5675 - Poppet SVK-1H

Male coupling - male thread

Item Code	Part Number				WP Conn./ disconn. MPa	Fitting	d ₁ mm	l ₈ mm	l ₁₀ mm
		DASH	DN	inch					
1229015	R1Q-340076	-6	10	3/8"	40	AGF	1/4"	12	19
1229016	R1Q-340077	-6	10	3/8"	40	AGF	3/8"	12	19
1229017	R1Q-340078	-8	12	1/2"	25	AGF	1/2"	14	23
1229019	R1Q-340079	-12	20	3/4"	25	AGF	3/4"	16	29
1229018	R1Q-340080	-12	20	3/4"	25	AGF	1"	18	31

AGF connection according to DIN 3901 heavy duty range with pipe thread G (BSPP), type A to DIN 3852-2

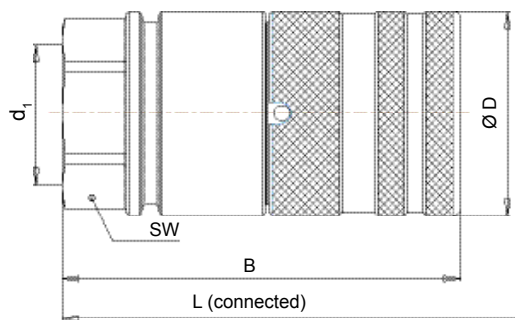


STANDARD ISO 5675 - Poppet SPK-1H male connectable under pressure

Female coupling - female thread

Item Code	Part Number				WP Conn./ disconn. MPa	Thread	d ₁ mm	l ₂ mm
		DASH	DN	inch				
1231470	R1Q-1231470	-8	12	1/2"	25	BSPP	1/2"	80
1231471	R1Q-1231471	-8	12	1/2"	25	NPTF	1/2"	80
1231472	R1Q-1231472	-8	12	1/2"	25	SAE/UNF	3/4"-16	80
1231473	R1Q-1231473	-8	12	1/2"	25	MET	M22x1,5	80

BSPP connection according to DIN 3852-2-X, NPTF connection according to ANSI B1-20.3, metric connection according to DIN 3852, SAE UNF/UN connection according to SAE J 1926-1

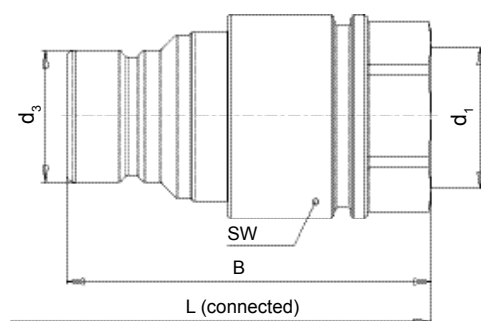


STANDARD ISO 16028 - Flat Face FPK

Female coupling - female thread


Item Code	Part Number				WP Conn./ disconn. MPa	Min BP Conn./ disconn. MPa	Thread	d ₁	B mm	Ø D mm	L mm	SW mm
		DASH	DN	inch								
1229101	R1Q-1229101	-4	6	1/4"	35	140	BSPP	1/4"	57,8	28	97	20
1229102	R1Q-1229102	-6	10	3/8"	35	140	BSPP	3/8"	69,3	32	117	27
1224380	R1Q-1224380	-6	10	3/8"	35	140	BSPP	1/2"	69,3	32	117	27
1229103	R1Q-1229103	-8	13	1/2"	35	140	BSPP	1/2"	74,5	38	125	32
1224381	R1Q-1224381	-8	13	1/2"	35	140	BSPP	3/4"	74,5	38	125	32
1232287	R1Q-1232287	-10	16	5/8"	35	140	BSPP	3/4"	81,3	40	134	34
1229105	R1Q-1229105	-12	19	3/4"	35	140	BSPP	3/4"	93	48	156	42
1224382	R1Q-1224382	-12	19	3/4"	35	140	BSPP	1"	93	48	156	42
1231464	R1Q-1231464	-16	25	1"	35	140	BSPP	1"	101	55	177	50
1229106	R1Q-1229106	-16	25	1"	35	140	BSPP	1 1/4"	101	55	177	50
1229213	R1Q-1229213	-4	6	1/4"	35	140	NPTF	1/4"	49,2	28	96,3	20
1229214	R1Q-1229214	-6	10	3/8"	35	140	NPTF	3/8"	67	32	129	27
1229215	R1Q-1229215	-6	10	3/8"	35	140	NPTF	1/2"	67	32	129	27
1229216	R1Q-1229216	-8	13	1/2"	35	140	NPTF	1/2"	74,6	38	142,6	32
1229217	R1Q-1229217	-8	13	1/2"	35	140	NPTF	3/4"	74,6	38	142,6	32
1232382	R1Q-1232382	-10	16	5/8"	35	140	NPTF	3/4"	81,3	40	133,5	34
1229219	R1Q-1229219	-12	19	3/4"	35	140	NPTF	3/4"	92,5	48	177,5	42
1232460	R1Q-1232460	-12	19	3/4"	35	140	NPTF	1"	92,5	48	177,5	42
1231467	R1Q-1231467	-16	25	1"	35	140	NPTF	1"	100,5	55	199,5	50
1229236	R1Q-1229236	-6	10	3/8"	35	140	SAE/UNF	9/16"-18	67	32	129	27
1229238	R1Q-1229238	-8	13	1/2"	35	140	SAE/UNF	3/4"-16	74,6	38	142,6	32
1232384	R1Q-1232384	-10	16	5/8"	35	140	SAE/UN	1"1/16-12	81,3	40	133,5	34
1229241	R1Q-1229241	-12	19	3/4"	35	140	SAE/UN	1"1/16-12	92,5	48	177,5	42
1229243	R1Q-1229243	-16	25	1"	35	140	SAE/UN	1"5/16-12	100,5	55	199,5	50
1231469	R1Q-1231469	-6	10	3/8"	35	140	MET	M22x1,5	67	32	129	27

BSPP connection according to DIN 3852-2-X, NPTF connection according to ANSI B1-20.3, metric connection according to ISO 6149-1, SAE UNF/UN connection according to SAE J 1926-1

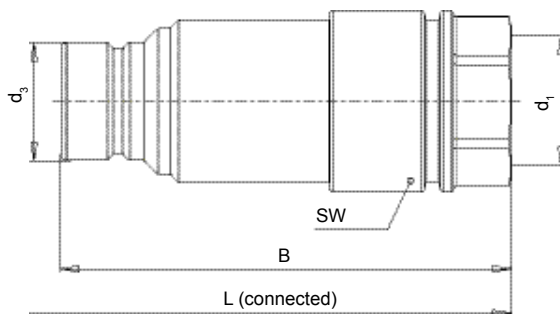


STANDARD ISO 16028 - Flat Face FPK

Male coupling - female thread

Item Code	Part Number				WP Conn./ disconn. MPa	Min BP Conn./ disconn. MPa	Thread	d_1	B	d_3	L	SW
		DASH	DN	inch								
1229109	R1Q-1229109	-4	6	1/4"	35	140	BSPP	1/2"	50,5	16,2	97	20
1229110	R1Q-1229110	-6	10	3/8"	35	140	BSPP	3/8"	64	19,7	117	27
1229111	R1Q-1229111	-6	10	3/8"	35	140	BSPP	1/2"	64	19,7	117	27
1229112	R1Q-1229112	-8	13	1/2"	35	140	BSPP	1/2"	68	24,6	125	32
1224377	R1Q-1224377	-8	13	1/2"	35	140	BSPP	3/4"	68	24,6	125	32
1232288	R1Q-1232288	-10	16	5/8"	35	140	BSPP	3/4"	70	27	134	34
1229113	R1Q-1229113	-12	19	3/4"	35	140	BSPP	3/4"	85	29,9	156	42
1224378	R1Q-1224378	-12	19	3/4"	35	140	BSPP	1"	85	29,9	156	42
1231463	R1Q-1231463	-16	25	1"	35	140	BSPP	1"	99	36	177	50
1229114	R1Q-1229114	-16	25	1"	35	140	BSPP	1 1/4"	99	36	177	50
1229224	R1Q-1229224	-4	6	1/4"	35	140	NPTF	1/2"	49,2	28	96,3	20
1229225	R1Q-1229225	-6	10	3/8"	35	140	NPTF	3/8"	62	19,7	129	27
1229226	R1Q-1229226	-6	10	3/8"	35	140	NPTF	1/2"	62	19,7	129	27
1229227	R1Q-1229227	-8	13	1/2"	35	140	NPTF	1/2"	68	24,6	142,6	32
1229228	R1Q-1229228	-8	13	1/2"	35	140	NPTF	3/4"	68	24,6	142,6	32
1232383	R1Q-1232383	-10	16	5/8"	35	140	NPTF	3/4"	70	27	133,5	34
1229230	R1Q-1229230	-12	19	3/4"	35	140	NPTF	3/4"	85	29,9	177,5	42
1232461	R1Q-1232461	-12	19	3/4"	35	140	NPTF	1"	85	29,9	177,5	42
1231466	R1Q-1231466	-16	25	1"	35	140	NPTF	1"	99	36	199,5	50
1229247	R1Q-1229247	-6	10	3/8"	35	140	SAE/UNF	9/16"-18	62	19,7	129	27
1229249	R1Q-1229249	-8	13	1/2"	35	140	SAE/UNF	3/4"-16	68	24,6	142,6	32
1232385	R1Q-1232385	-10	16	5/8"	35	140	SAE/UN	1"1/16-12	70	27	133,5	34
1229252	R1Q-1229252	-12	19	3/4"	35	140	SAE/UN	1"1/16-12	85	29,9	177,5	42
1229254	R1Q-1229254	-16	25	1"	35	140	SAE/UN	1"5/16-12	99	36	199,5	50
1231468	R1Q-1231468	-6	10	3/8"	35	140	MET	M22x1,5	62	19,7	129	27

BSPP connection according to DIN 3852-2-X, NPTF connection according to ANSI B1-20.3, metric connection according to ISO 6149-1, SAE UNF/UN connection according to SAE J 1926-1

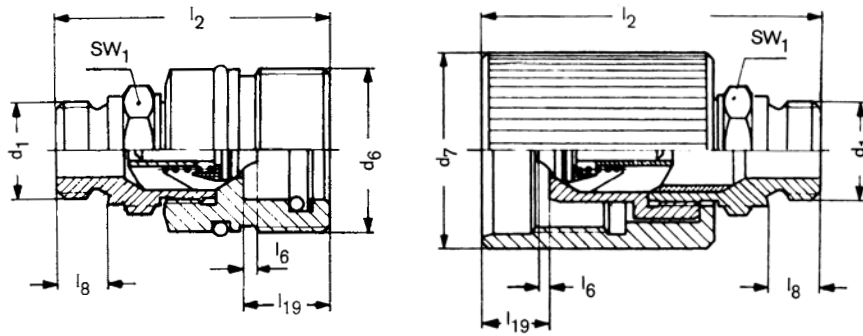


STANDARD ISO 16028 - Flat Face FPP connectable under pressure

Male coupling - female thread

Item Code	Part Number				WP Conn./ disconn. MPa	Min BP Conn./ disconn. MPa	Thread	d ₁	SW	B	d ₃	L
		DASH	DN	inch								
1232283	ON REQUEST	-6	10	3/8"	35	140	BSPP	3/8"	27	82,5	19,7	134
1231474	R1Q-1231474	-8	13	1/2"	35	140	BSPP	1/2"	32	94,5	24,6	152
1232284	ON REQUEST	-12	19	3/4"	35	140	BSPP	3/4"	42	118,5	29,9	189,5

BSPP connection according to DIN 3852-2-X



SCREW COUPLING - Poppet HDK

Female coupling (fixed part) - male thread

Item Code	Part Number				WP Conn./ disconn. MPa	Fitting	DN Fitting	d ₁	d ₆	l ₂	l ₆	l ₈	l ₁₉	SW ₁
		DASH	DN	inch										
1228935	R1Q-340477	-5	8	5/16"	45	AGF	8	3/8"	Rd 28x2	54	3	12	14,5	22
1219534	R1Q-340478	-8	12	1/2"	40	AGF	12	1/2"	Rd 36x2	61,5	3,1	14	17	27
1228936	R1Q-340479	-12	20	3/4"	31,5	AGF	16	3/4"	Rd 48x3	87,5	7,6	16	26	41
1228937	R1Q-340480	-12	20	3/4"	31,5	AGF	20	1"	Rd 48x3	90	7,6	18	26	41

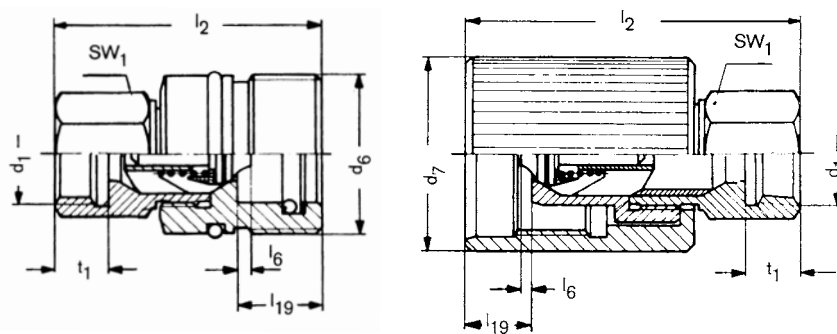
AGF connection according to DIN 3901 heavy duty range with pipe thread G (BSPP), type A to DIN 3852-2

SCREW COUPLING - Poppet HDK

Male coupling (loose part) - male thread

Item Code	Part Number				WP Conn./ disconn. MPa	Fitting	DN Fitting	d ₁	d ₇	l ₂	l ₆	l ₈	l ₁₉	SW ₁
		DASH	DN	inch										
1228919	R1Q-340445	-5	8	5/16"	45	AGF	8	3/8"	34	64	3	12	12,5	22
1219526	R1Q-340446	-8	12	1/2"	40	AGF	12	1/2"	42	75,5	4	14	15,5	27
1228920	R1Q-340447	-12	20	3/4"	31,5	AGF	16	3/4"	55	91	9	16	11	41
1228921	R1Q-340448	-12	20	3/4"	31,5	AGF	20	1"	55	91	9	18	11	41

AGF connection according to DIN 3901 heavy duty range with pipe thread G (BSPP), type A to DIN 3852-2



SCREW COUPLING - Poppet HDK

Female coupling (fixed part) - female thread

Item Code	Part Number				WP Conn./ disconn. MPa	Thread	DN Fitting	d ₁	d ₆	l ₂	l ₆	l ₁₉	t ₁ /t ₂	SW ₁
		DASH	DN	inch										
1219538	R1Q-340449	-5	8	5/16"	45	BSPP	3/8"	Rd 28x2	55	3	14,5	14	22	22
1219537	R1Q-340450	-8	13	1/2"	40	BSPP	1/2"	Rd 36x2	60,5	4	17	16	27	27
1219536	R1Q-340451	-16	25	1"	31,5	BSPP	3/4"	Rd 48x3	89,5	9	26	18	41	41
1219535	R1Q-340452	-16	25	1"	31,5	BSPP	1"	Rd 48x3	92,5	9	26	20	41	41
1230056	R1Q-340421	-20	32	1 1/4"	31,5	BSPP	1 1/4"	Rd 70x3	115	12	36	-	55	27
1228938	R1Q-340453	-8	13	1/2"	4	NPTF	1/2"-14	Rd 36x2	61,5	4	17	16,5	27	41
1228939	R1Q-340454	-16	25	1"	3,15	NPTF	3/4"-14	Rd 48x3	84,5	9	26	17	41	41
1228940	R1Q-340455	-16	25	1"	3,15	NPTF	1"-11,5	Rd 48x3	88,5	9	26	20,5	41	41
1232387	R1Q-340422	-20	32	1 1/4"	31,5	NPTF	1 1/4"	Rd 70x3	115	12	36	-	55	
1231479	R1Q-340412	-16	25	1"	31,5	SAE UN	1 1/16"-12	Rd 48x3	89,5	9	26	18	41	

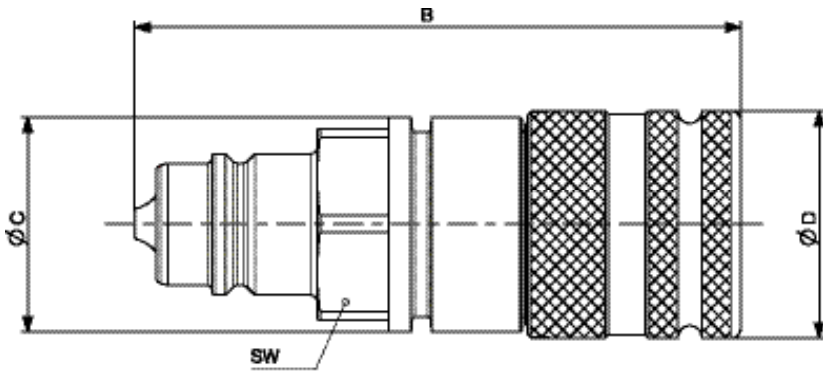
BSPP connection according to DIN 3852-2-X, NPTF connection according to ANSI B1-20.3, metric connection according to DIN 3852, SAE UNF/UN connection according to SAE J 1926-1

SCREW COUPLING - Poppet HDK

Female coupling (loose part) - female thread

Item Code	Part Number				WP Conn./ disconn. MPa	Thread	DN Fitting	d ₁	d ₇	l ₂	l ₆	l ₁₉	t ₁	SW ₁
		DASH	DN	inch										
1219530	R1Q-340470	-5	8	5/16"	45	BSPP	3/8"	34	65	3	12,5	14	22	22
1219529	R1Q-340471	-8	13	1/2"	40	BSPP	1/2"	42	74,5	4	15,5	16	27	27
1219528	R1Q-340472	-16	25	1"	31,5	BSPP	3/4"	55	98	9	11	18	41	41
1219527	R1Q-340473	-16	25	1"	31,5	BSPP	1"	55	101	9	11	20	41	41
1230063	R1Q-340423	-20	32	1 1/4"	31,5	BSPP	1 1/4"	80	117	12	10	-	55	27
1228922	R1Q-340474	-8	13	1/2"	40	NPTF	1/2"-14	42	75,5	4	15,5	16,5	27	41
1228923	R1Q-340475	-16	25	1"	31,5	NPTF	3/4"-14	55	93	9	11	17	41	41
1228924	R1Q-340476	-16	25	1"	31,5	NPTF	1"-11,5	55	97	9	11	20,5	41	41
1232388	R1Q-340424	-20	32	1 1/4"	31,5	NPTF	1 1/4"	80	117	12	10	-	55	
1231480	R1Q-340486	-16	25	1"	31,5	SAE UN	1 1/16"-12	55	98	9	11	18	41	

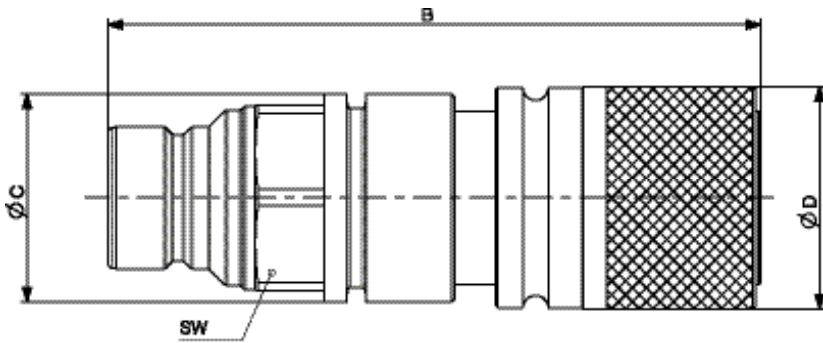
BSPP connection according to DIN 3852-2-X, NPTF connection according to ANSI B1-20.3, metric connection according to DIN 3852, SAE UNF/UN connection according to SAE J 1926-1



QUICK CONNECT ADAPTER - Flat Face - ISO A 1/2"

Female flat face ISO 16028 - Male poppet ISO 7241 A

Item Code	Part Number				WP Connected MPa	Min BP Connected MPa	C Ø mm	D Ø mm	B mm	SW mm
		DASH	DN	inch						
1230322	R1Q-1230322	-8	12	1/2	35	140	36	38	101,7	32



QUICK CONNECT ADAPTER - Flat Face - ISO A 1/2"

Male flat face ISO 16028 - Female poppet ISO 7241 A

Item Code	Part Number				WP Connected MPa	Min BP Connected MPa	C Ø mm	D Ø mm	B mm	SW mm
		DASH	DN	inch						
1230323	R1Q-1230323	-8	12	1/2	35	140	36	38,6	113	32